

# **12864 Graphic LCD Module Brief Introduction User's Guide**

---

---

## **Table of contents**

---

---

<b>Chapter1. 12864 Graphic LCD Module Brief Introduction.....</b>	<b>1</b>
<b>Chapter2. Contact Us.....</b>	<b>4</b>

# 12864 Graphic LCD Module Brief Introduction

---

## NOTES:

**Product Version** : **Ver 1.0**

**Document Version** : **Ver 1.0**

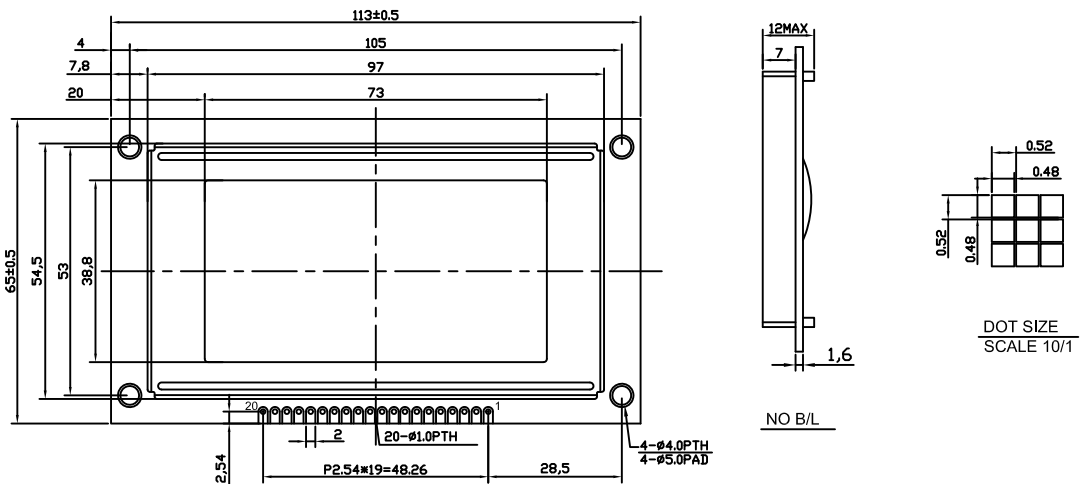
## Chapter1. 12864 Graphic LCD Module Brief

### Introduction

#### Physical Data

Item	Contents	Unit
LCD type	STN	---
LCD duty	1/64	---
LCD bias	1/9	---
Viewing direction	6	o'clock
Module size (W×H×T)	112× 66	mm
Viewing area (W×H)	73.4 × 38.8 (2.89" × 1.53")	mm
Number of dots	128 × 64	dots
Dot size (W×H)	0.48 × 0.48 (0.019" × 0.019")	mm
Dot pitch (W×H)	0.52 × 0.52 (0.020" × 0.020")	mm

#### External Dimensions



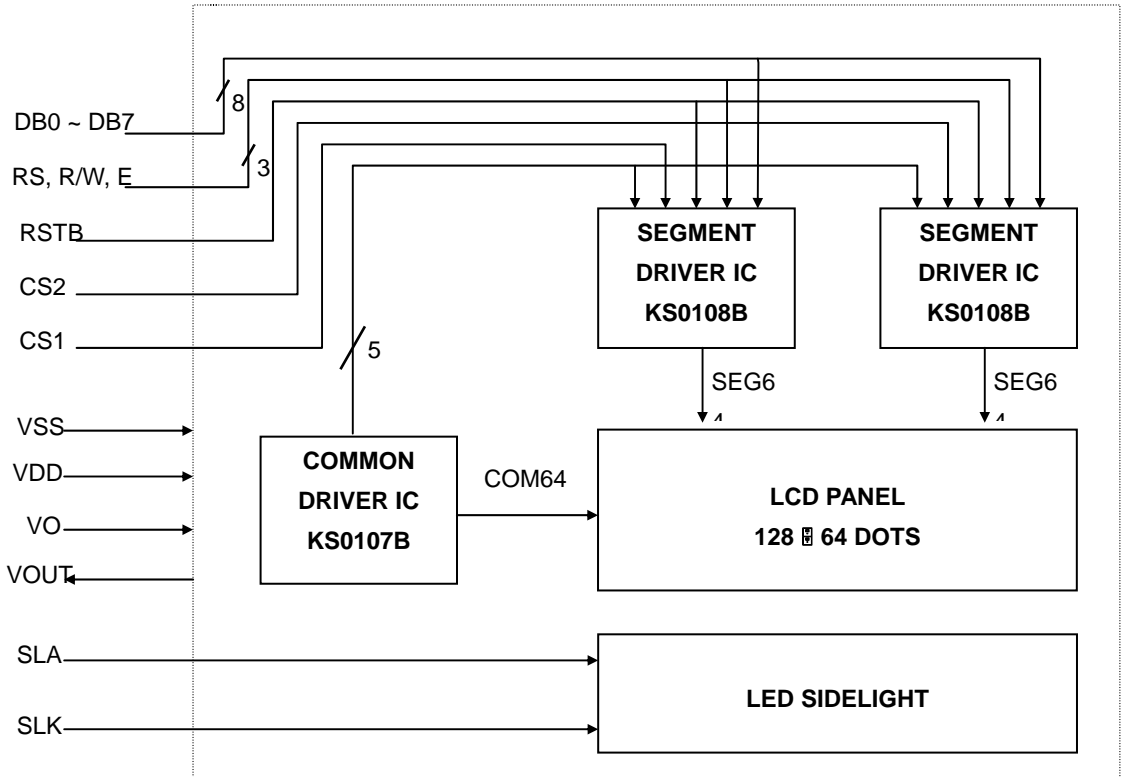
#### Mechanical Data

Item	Standard Value	Unit
Module Dimension	113×65	mm
Viewing Area	73×38.8	mm
Mounting hole	105×53	mm
Dot pitch	0.52×0.52	mm

# 12864 Graphic LCD Module Brief Introduction

## Block Diagram

20	19	18	17	16	15	14	13	12	11	10	9	8	7	6	5	4	3	2	1
SL K	SL A	VO UT	RS TB	CS 2	CS 1	DB 7	DB 6	DB 5	DB 4	DB 3	DB 2	DB 1	DB 0	E	R/ W	RS	VO	VD D	VS S



## Absolute Maximum Ratings (Ta = 25°C)

Parameter	Symbol	Min	Max	Unit
Supply voltage for logic	VDD	-0.3	7.0	V
Supply voltage for LCD	VDD - VO	-0.3	VDD+0.3	V
Input voltage	VI	-0.3	VDD+0.3	V
Operating temperature	TOP	0	50	°C
Storage temperature	TST	-10	60	°C

## 12864 Graphic LCD Module Brief Introduction

### Electrical Characteristics (VDD = +5V±5%, VSS = 0V, Ta = 25°C)

Parameter	Symbol	Condition	Min	Typ	Max	Unit
Supply voltage for logic	VDD	---	4.5	5.0	5.5	V
Supply current for logic	IDD	---	---	2.02	4	mA
Operating voltage for LCD	VDD - VO	0°C	8.4	8.8	9.2	V
		25°C	8.1	8.5	8.9	V
		50°C	7.4	7.8	8.2	V
Supply voltage for sidelight	VF	---	---	4.2	4.6	V
Supply current for sidelight	IF	VF=4.2V	---	180	300	mA
Input voltage 'H' level	VIH	---	0.7VDD	---	VDD	V
Input voltage 'L' level	VIL	---	0	---	0.3VDD	V

### Interface Pin Connections

Pin No.	Symbol	Level	Description
1	VSS	0V	Ground
2	VDD	5.0V	Supply voltage for logic
3	VO	---	Input voltage for LCD
4	RS	H/L	H : Data signal, L : Instruction signal
5	R/W	H/L	H : Read mode, L : Write mode
6	E	H, H → L	Chip enable signal
7	DB0	H/L	Data bit 0
8	DB1	H/L	Data bit 1
9	DB2	H/L	Data bit 2
10	DB3	H/L	Data bit 3
11	DB4	H/L	Data bit 4
12	DB5	H/L	Data bit 5
13	DB6	H/L	Data bit 6
14	DB7	H/L	Data bit 7
15	CS1	H	Chip select signal for KS0108B(1)
16	CS2	H	Chip select signal for KS0108B(2)
17	RSTB	L	Reset signal
18	VOUT	-5V	Output voltage for LCD
19	SLA	4.2V	Sidelight anode
20	SLK	0V	Sidelight cathode

---

## **Chapter2. Contact Us**

---

**Sure Electronics Co., Ltd.**

5F, Zone A,

Qinhuai Technology Innovation Center

105-2 DaMing Rd (Zip Code: 210022)

Nanjing

PRC

Tel: +86-25-66606340 (English Service) GMT1am-10am

Fax: +86-25-66606346

Website: [www.sure-electronics.net](http://www.sure-electronics.net)  
[www.sureelectronics.net](http://www.sureelectronics.net)  
[www.sure-electronics.com](http://www.sure-electronics.com)